

WINSTON CVAP MODEL F552 & F662 SHORTENING FILTER



F662A

Shortening Filter

Parts Identification Manual



F662A9 SHOWN

Table of Contents

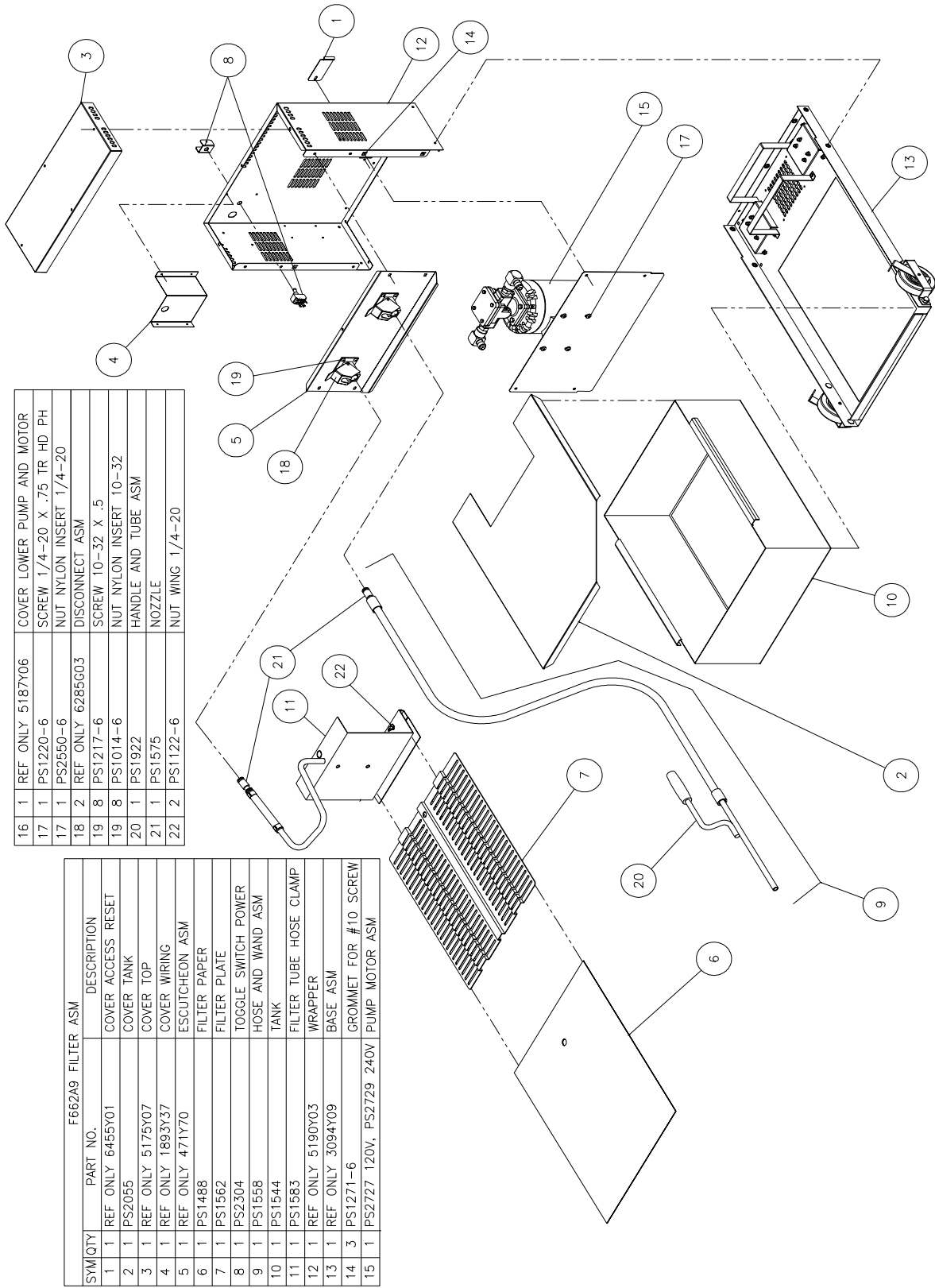
Main Assembly.....page 3
Model F662 Shown

Base Assembly – F662.....page 4

Base Assembly – F552.....page 5

Schematic.....page 6

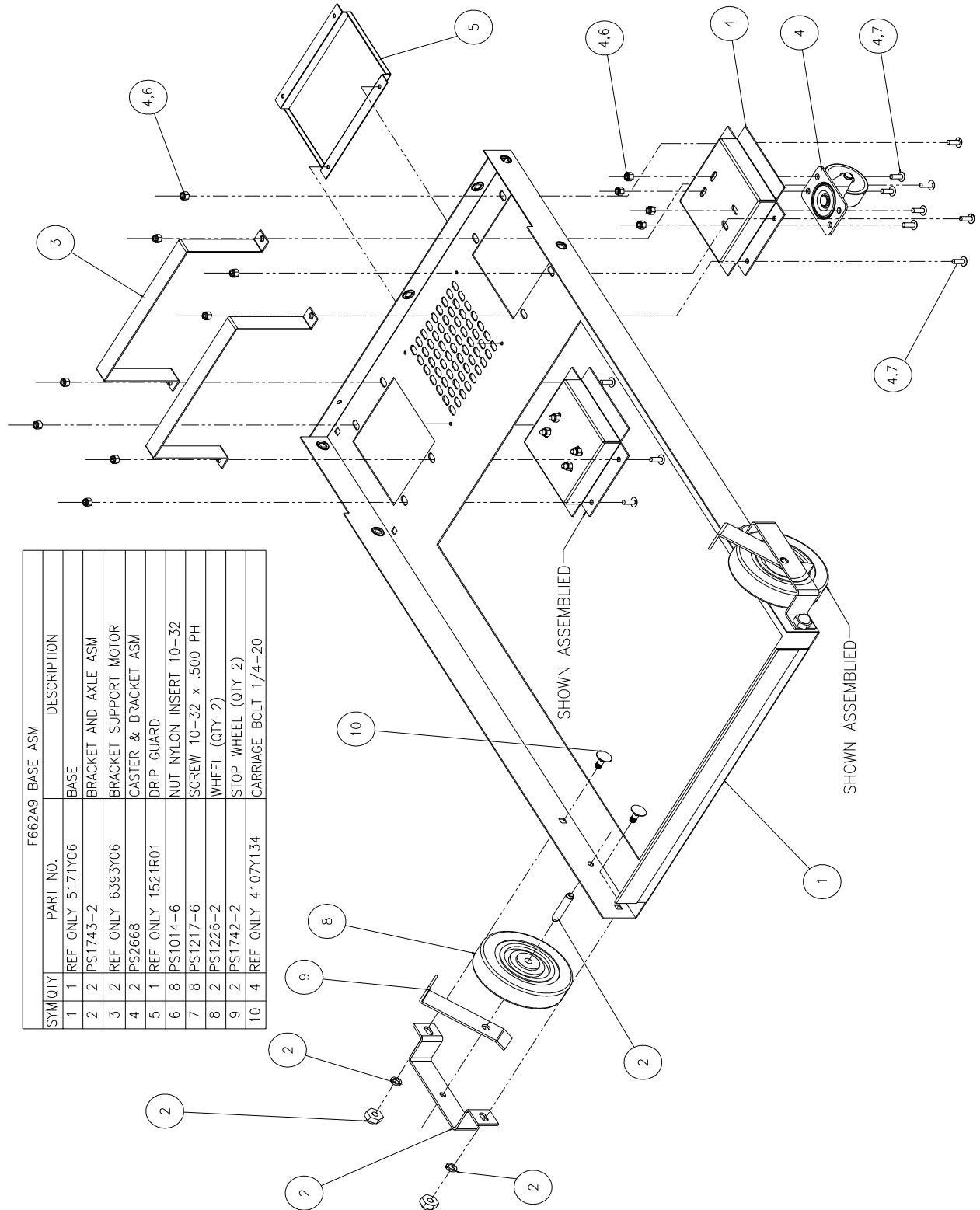
WINSTON CVAP MODEL F552 & F662 SHORTENING FILTER



| | | | |
|----|---|------------------|-----------------------------|
| 16 | 1 | REF ONLY 5187Y06 | COVER LOWER PUMP AND MOTOR |
| 17 | 1 | PS1220-6 | SCREW 1/4-20 X .75 TR HD PH |
| 17 | 1 | PS2550-6 | NUT NYLON INSERT 1/4-20 |
| 18 | 2 | REF ONLY 6285603 | DISCONNECT ASM |
| 19 | 8 | PS1217-6 | SCREW 10-32 X .5 |
| 19 | 8 | PS1014-6 | NUT NYLON INSERT 10-32 |
| 20 | 1 | PS1922 | HANDLE AND TUBE ASM |
| 21 | 1 | PS1575 | NOZZLE |
| 22 | 2 | PS1122-6 | NUT WING 1/4-20 |

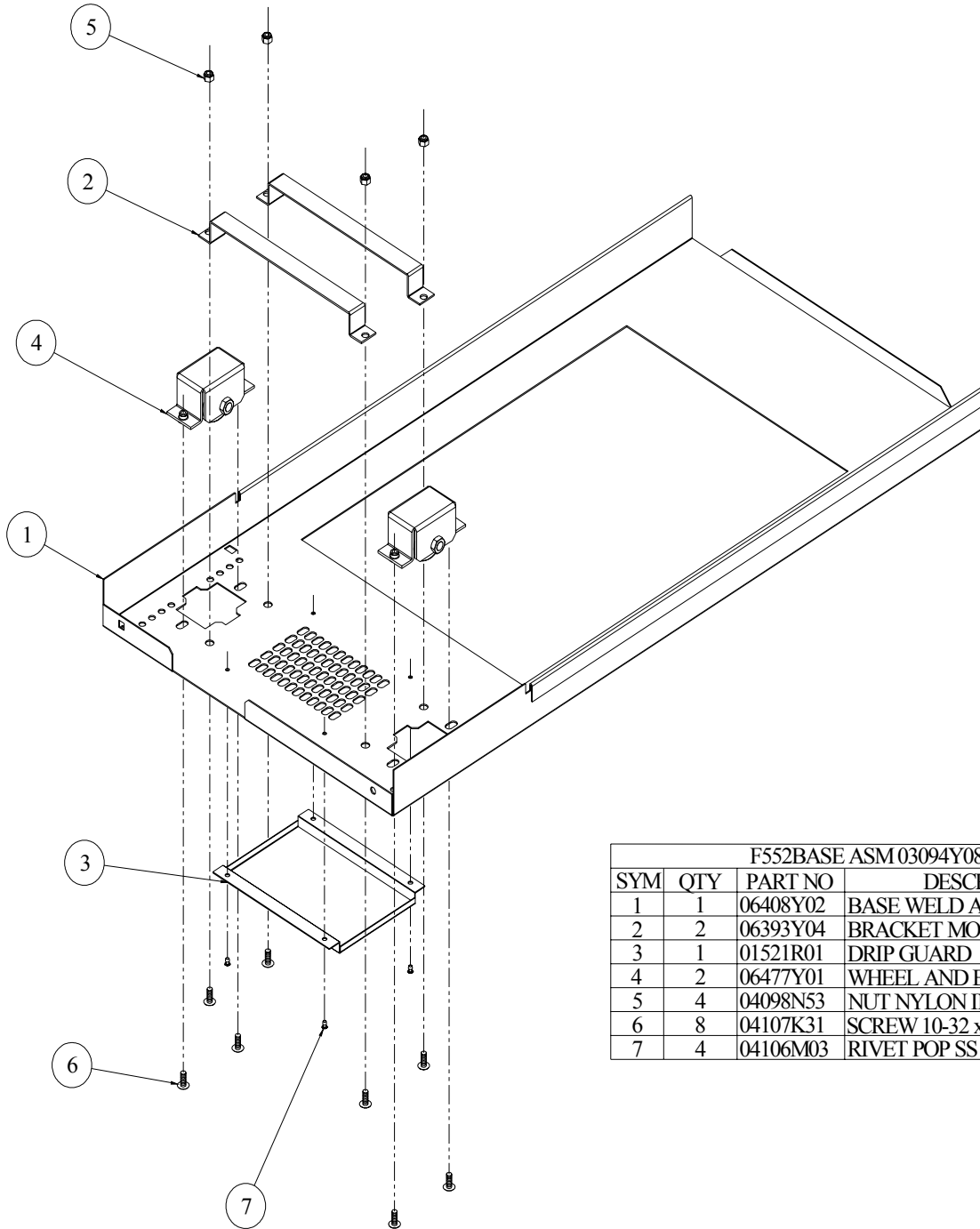
| F662A9 FILTER ASM | | | |
|-------------------|-----|--------------------------|------------------------|
| SYM | QTY | PART NO. | DESCRIPTION |
| 1 | 1 | REF ONLY 6455Y01 | COVER ACCESS RESET |
| 2 | 1 | PS2055 | COVER TANK |
| 3 | 1 | REF ONLY 5175Y07 | COVER TOP |
| 4 | 1 | REF ONLY 1893Y37 | COVER WIRING |
| 5 | 1 | REF ONLY 471Y70 | ESCUTCHEON ASM |
| 6 | 1 | PS1488 | FILTER PAPER |
| 7 | 1 | PS1562 | FILTER PLATE |
| 8 | 1 | PS2304 | TOGGLE SWITCH POWER |
| 9 | 1 | PS1558 | HOSE AND WAND ASM |
| 10 | 1 | PS1544 | TANK |
| 11 | 1 | PS1583 | FILTER TUBE HOSE CLAMP |
| 12 | 1 | REF ONLY 5190Y03 | WRAPPER |
| 13 | 1 | REF ONLY 3094Y09 | BASE ASM |
| 14 | 3 | PS1271-6 | GROMMET FOR #10 SCREW |
| 15 | 1 | PS2727 120V, PS2729 240V | PUMP MOTOR ASM |

WINSTON CVAP MODEL F552 & F662 SHORTENING FILTER



| F662A9 BASE ASM | | |
|-----------------|-----|--|
| SYM/ | QTY | PART NO. DESCRIPTION |
| 1 | 1 | REF ONLY 5171Y06 BASE |
| 2 | 2 | PS1743-2 BRACKET AND AXLE ASM |
| 3 | 2 | REF ONLY 6393Y06 BRACKET SUPPORT MOTOR |
| 4 | 2 | PS2668 CASTER & BRACKET ASM |
| 5 | 1 | REF ONLY 1521R01 DRIP GUARD |
| 6 | 8 | PS1014-6 NUT NYLON INSERT 10-32 |
| 7 | 8 | PS1217-6 SCREW 10-32 x .500 PH |
| 8 | 2 | PS1226-2 WHEEL (QTY 2) |
| 9 | 2 | PS1742-2 STOP WHEEL (QTY 2) |
| 10 | 4 | REF ONLY 4107Y134 CARRIAGE BOLT 1/4-20 |

WINSTON CVAP MODEL F552 & F662 SHORTENING FILTER



| F552BASE ASM03094Y08 | | | |
|----------------------|-----|----------|----------------------------|
| SYM | QTY | PART NO | DESCRIPTION |
| 1 | 1 | 06408Y02 | BASE WELD ASM |
| 2 | 2 | 06393Y04 | BRACKET MOTOR |
| 3 | 1 | 01521R01 | DRIP GUARD |
| 4 | 2 | 06477Y01 | WHEEL AND BRACKET ASM |
| 5 | 4 | 04098N53 | NUT NYLON INSERT 10-32 |
| 6 | 8 | 04107K31 | SCREW 10-32 x .50 TR HD PH |
| 7 | 4 | 04106M03 | RIVET POP SS .125 x .125 |

WINSTON CVAP MODEL F552 & F662 SHORTENING FILTER

Models F552A8 & F662A9
Shortening Filter

