



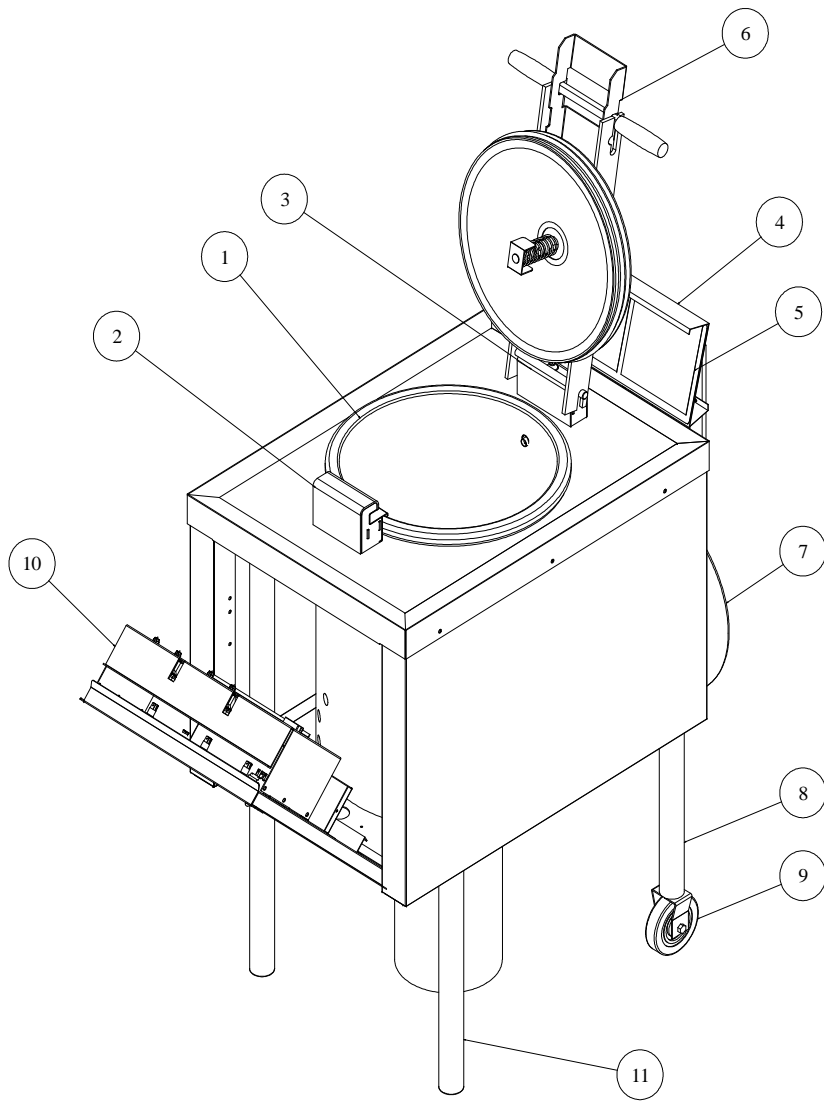
# PF46C and PF56C Pressure Fryer

## Parts Identification Manual

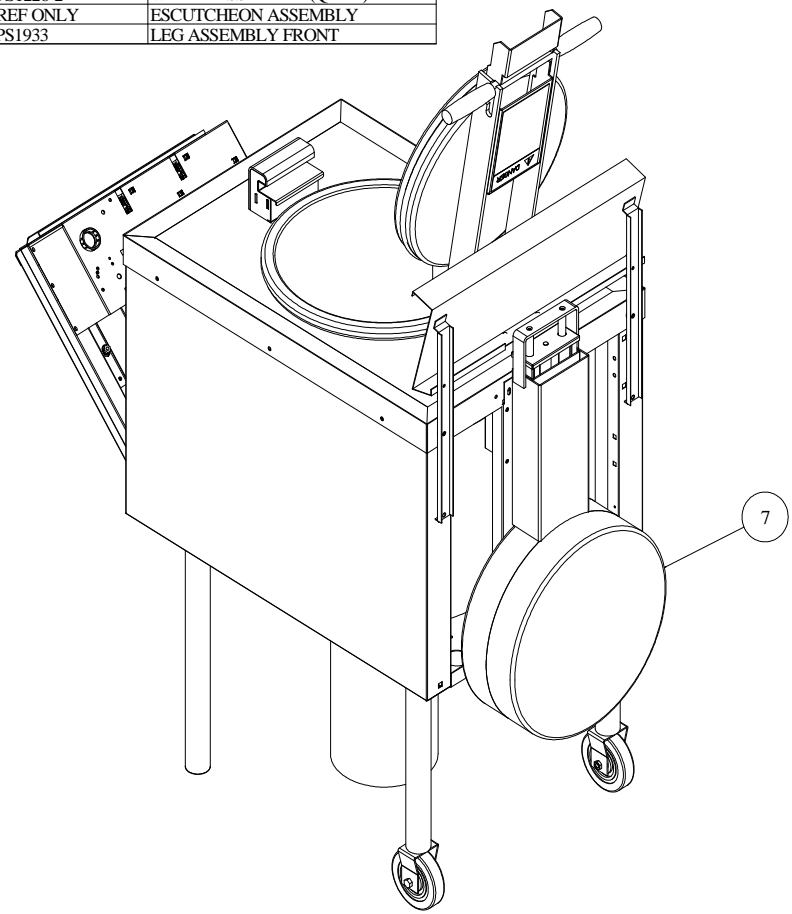


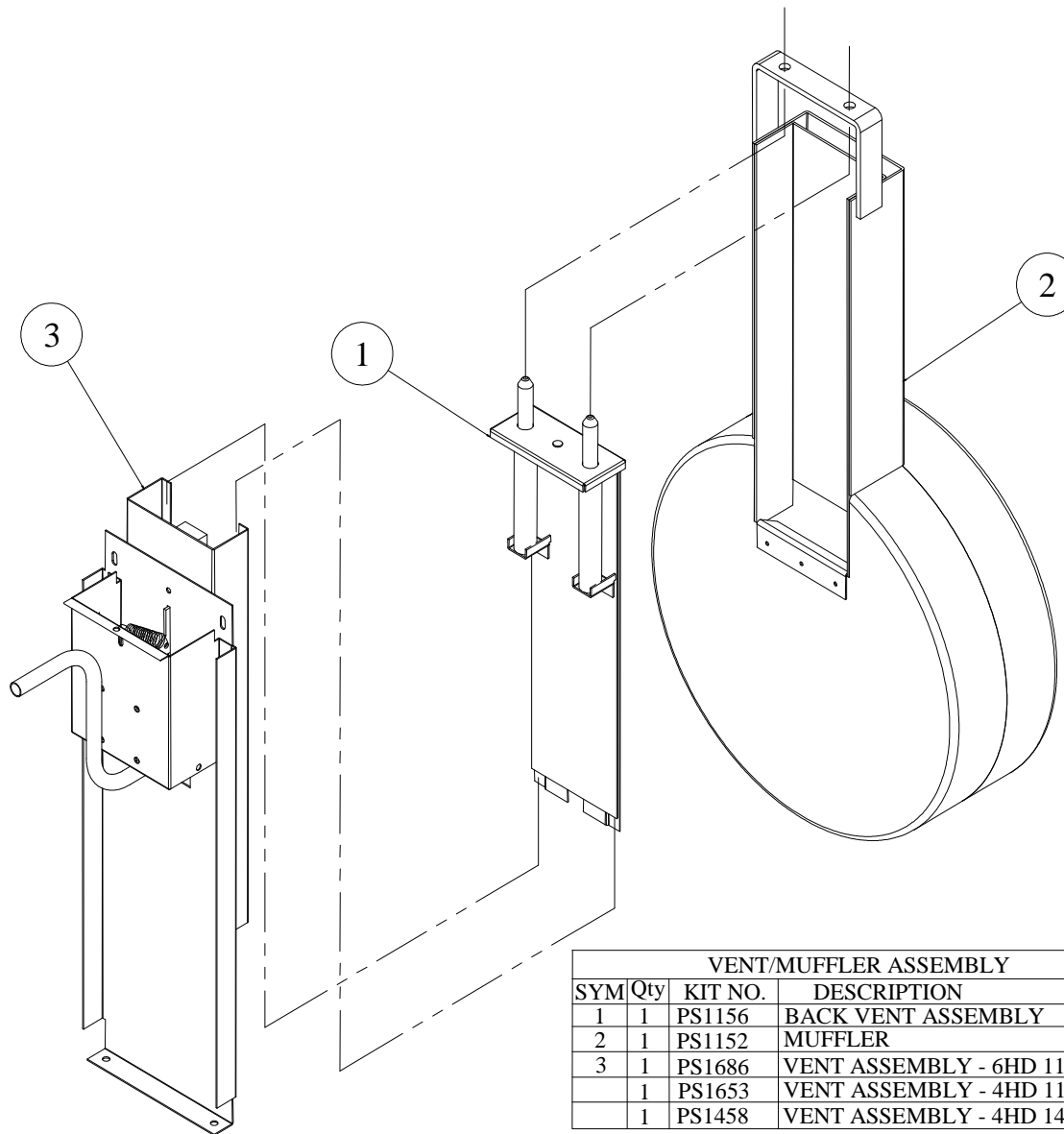
# Table of Contents

Main Assembly.....	page 1
Vent Muffler Assembly.....	page 2
Vent Assembly.....	page 3
Pot Assembly.....	page 4
Lid Assembly.....	page 5
Escutcheon (front) Assembly.....	page 6
Relay Panel Assembly.....	page 7
Schematic – Delta Configuration.....	page 8
Schematic – Wye Configuration.....	page 9

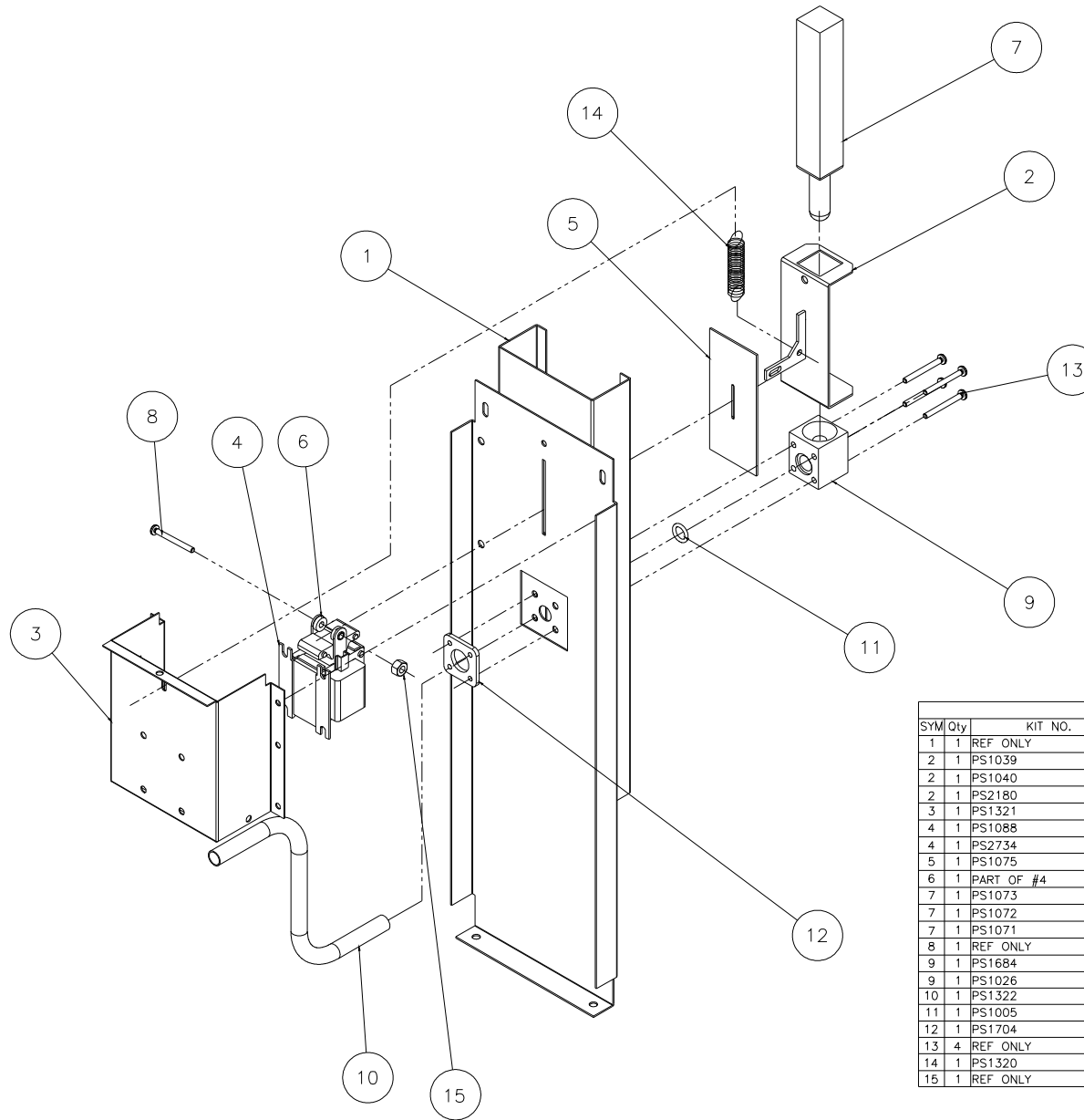


FRYER ASSEMBLY			
SYM	Qty	KIT NO.	DESCRIPTION
1	1	REF ONLY	POT ASSEMBLY
2	1	PS1399	BLOCK FRONT ASSEMBLY
3	1	PS1400	BLOCK REAR ASM
4	1	PS1210	BACKSPASH PANEL
5	2	PS1318	BACKSPASH LABEL
6	1	PS1459	LID ASSEMBLY
7	1	REF ONLY	VENT/MUFFLER ASSEMBLY
8	2	PS1934	LEG ASSEMBLY REAR
9	2	PS1226-2	WHEEL ASSEMBLY (QTY 2)
10	1	REF ONLY	ESCUTCHEON ASSEMBLY
11	1	PS1933	LEG ASSEMBLY FRONT

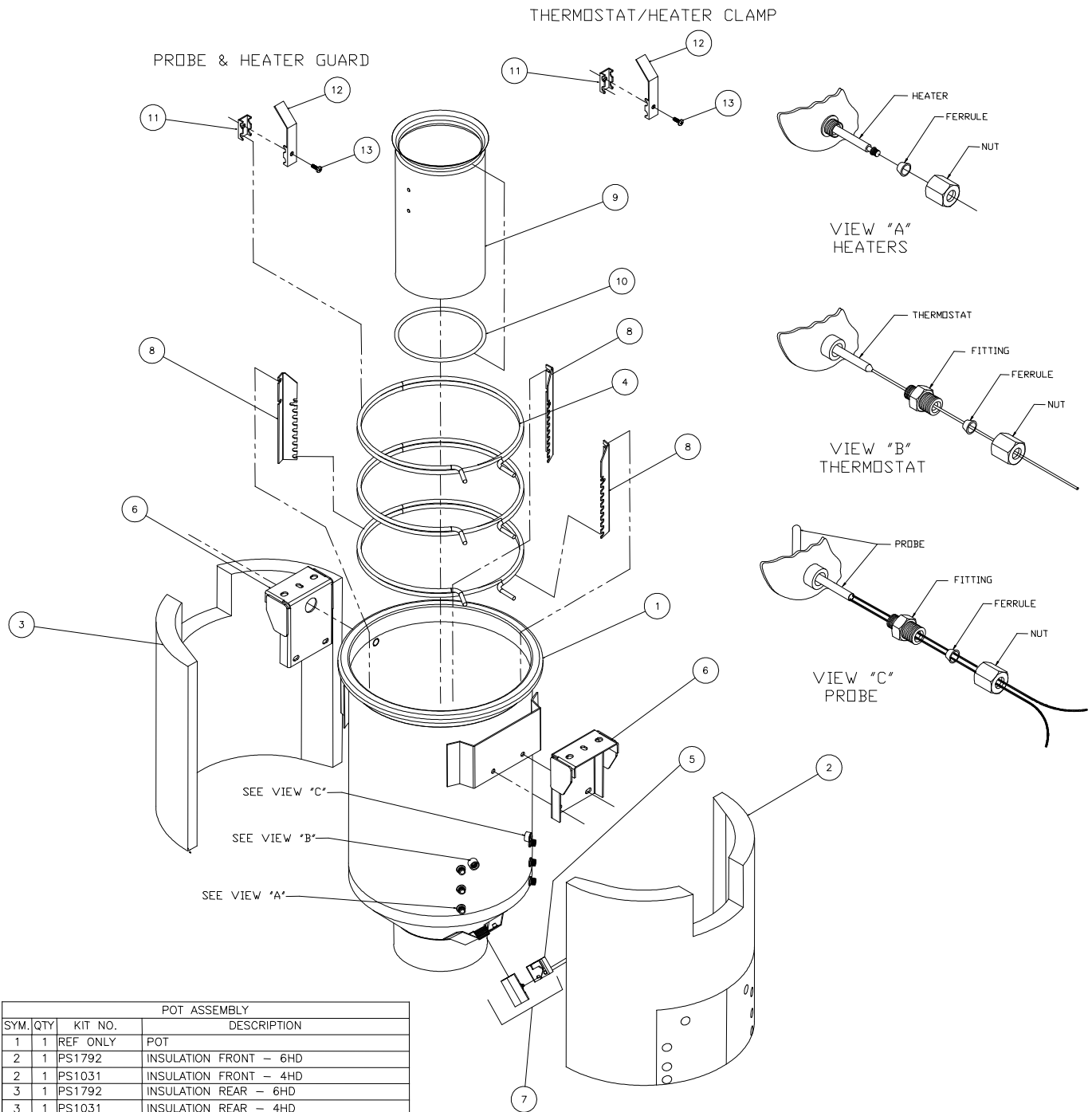




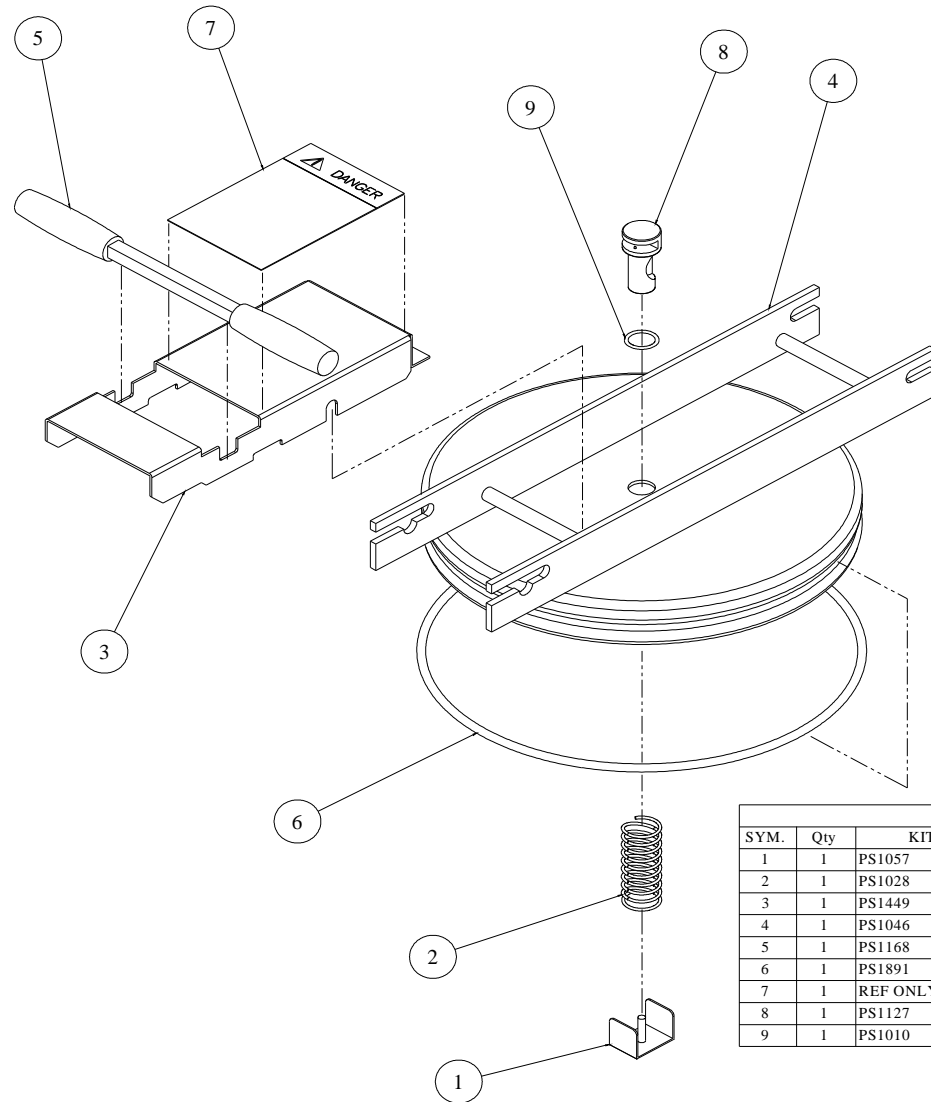
VENT/MUFFLER ASSEMBLY					
SYM	Qty	KIT NO.	DESCRIPTION		
1	1	PS1156	BACK VENT ASSEMBLY		
2	1	PS1152	MUFFLER		
3	1	PS1686	VENT ASSEMBLY - 6HD 11.9PSI		
	1	PS1653	VENT ASSEMBLY - 4HD 11.9PSI		
	1	PS1458	VENT ASSEMBLY - 4HD 14.0PSI		



VENT ASSEMBLY		
SYM	Qty	DESCRIPTION
1	1	REF ONLY VENT WELD ASSEMBLY
2	1	PS1039 WEIGHT LIFTER - 6HD 11.9PSI
2	1	PS1040 WEIGHT LIFTER - 4HD 11.9PSI
2	1	PS2180 WEIGHT LIFTER - 4HD 14.0PSI
3	1	PS1321 BRACKET SOLENOID
4	1	PS1088 SOLENOID 60HZ
4	1	PS2734 SOLENOID 50HZ INTERNATIONAL
5	1	PS1075 SLIDE
6	1	PART OF #4 SOLENOID TOP
7	1	PS1073 WEIGHT - 6HD 11.9PSI
7	1	PS1072 WEIGHT - 4HD 11.9PSI
7	1	PS1071 WEIGHT - 4HD 14.0PSI
8	1	REF ONLY SCREW 8-32x 1.500
9	1	PS1684 BLOCK VENT - 6HD
9	1	PS1026 BLOCK VENT - 4HD
10	1	PS1322 TUBE VENT
11	1	PS1005 O-RING
12	1	PS1704 PLATE NUT VENT
13	4	REF ONLY SCREW 8-32x 1.75
14	1	PS1320 SPRING VENT
15	1	REF ONLY NUT NYLON INSERT 8-32

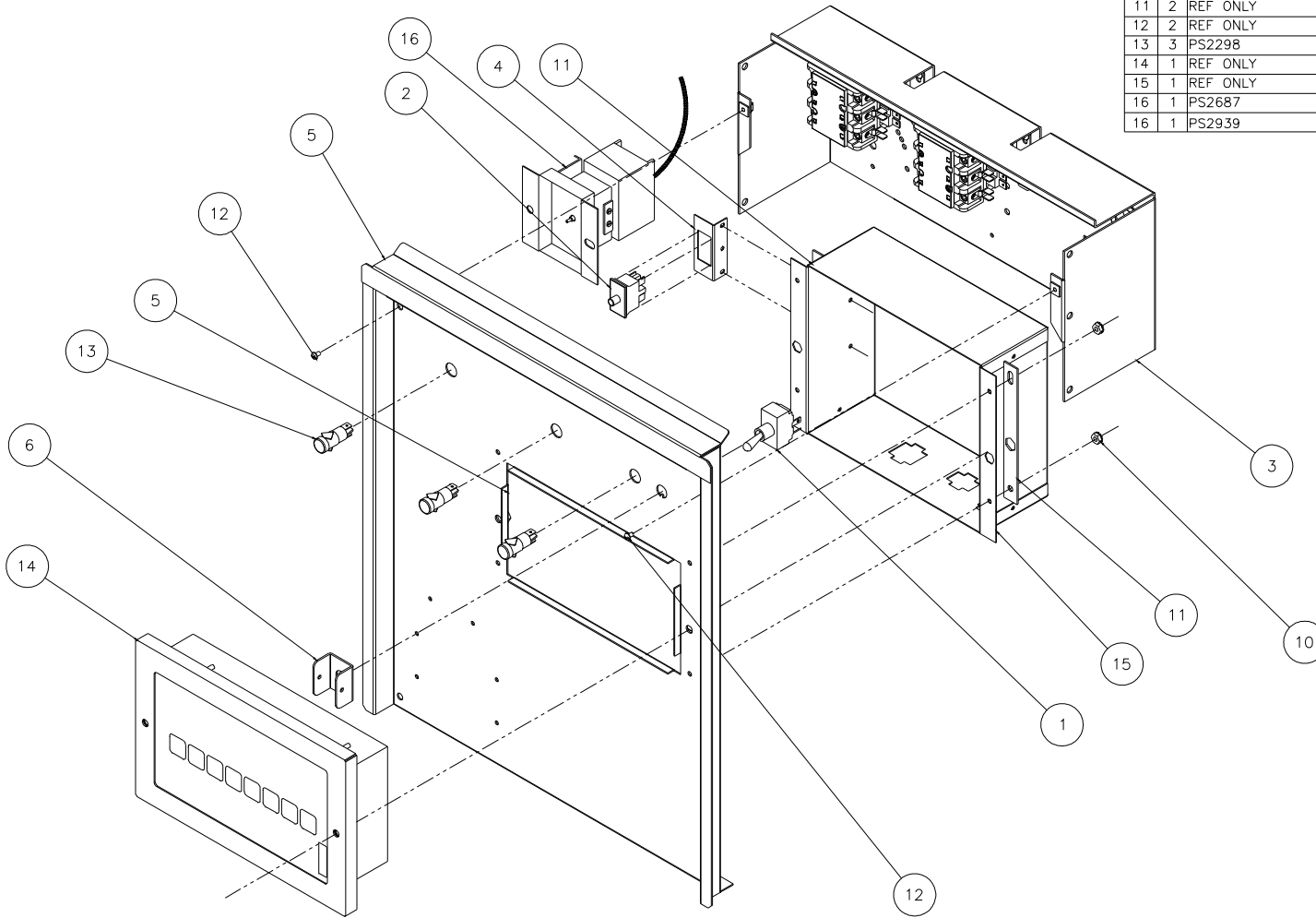


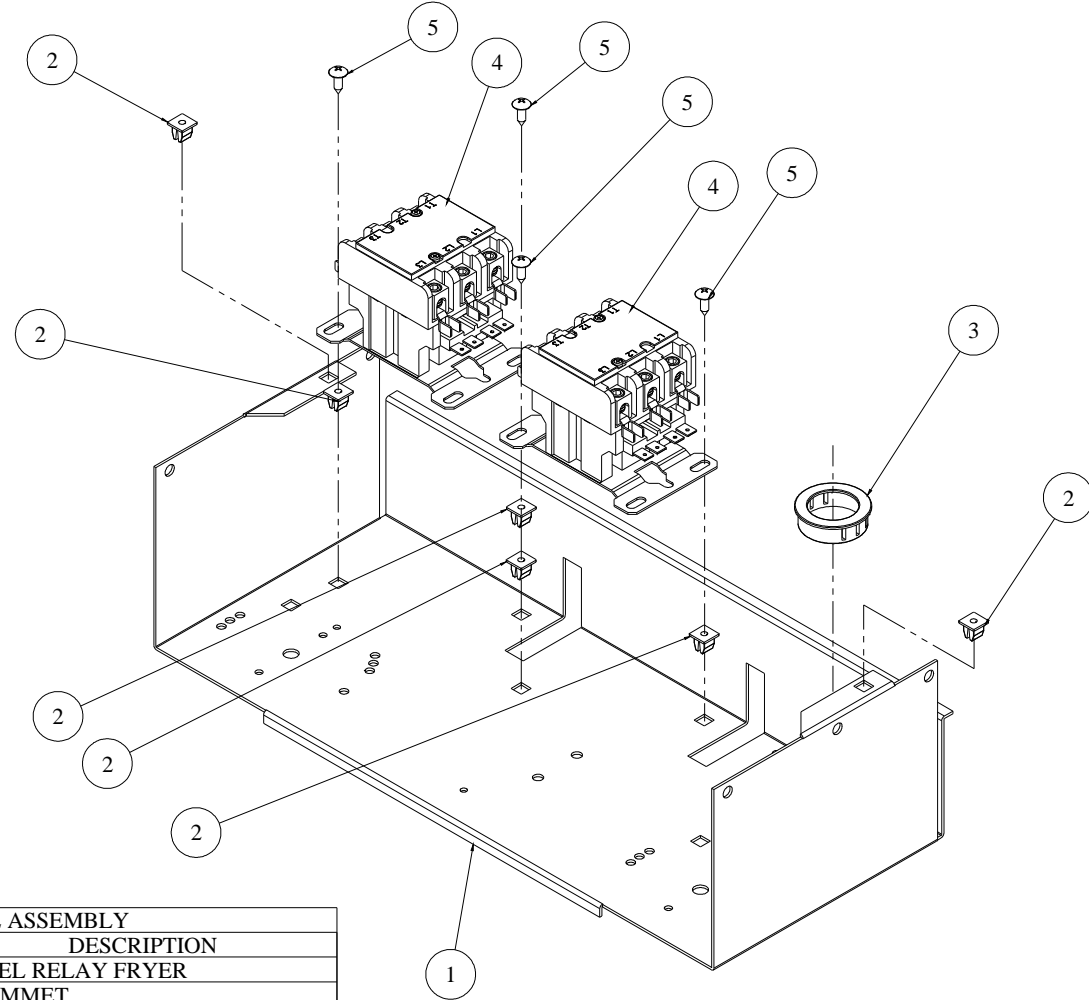
POT ASSEMBLY			
SYM.	QTY	KIT NO.	DESCRIPTION
1	1	REF ONLY	POT
2	1	PS1792	INSULATION FRONT - 6HD
2	1	PS1031	INSULATION FRONT - 4HD
3	1	PS1792	INSULATION REAR - 6HD
3	1	PS1031	INSULATION REAR - 4HD
4	3	PS1147	HEATER 3500W - 208V
4	3	PS1148	HEATER 3500W - 240V
4	3	PS2300	HEATER 3500W - 230V
5	1	PS1695	DRAIN VALVE HANDLE ASM
6	2	REF ONLY	BRACKET
7	1	PS1066	VALVE BALL 3/4"
8	3	PS1430	HOLDER HEATER
9	1	PS1207	COLLECTOR - AUSTRALIA
9	1	PS1206	COLLECTOR - ALL OTHERS
10	1	PS1892	GASKET COLLECTOR
11	1	PART OF #12	CLAMP PROBE
12	2	PS1744	SHEILD PROBE
13	1	REF ONLY	SCREW



LID ASSEMBLY			
SYM.	Qty	KIT NO.	DESCRIPTION
1	1	PS1057	RETAINER ASM
2	1	PS1028	SPRING
3	1	PS1449	LID LOCK
4	1	PS1046	LID BOTTOM LOCK ASM
5	1	PS1168	HANDLE
6	1	PS1891	LID GASKET
7	1	REF ONLY	LABEL LID LOCK "DANGER"
8	1	PS1127	LID VALVE
9	1	PS1010	LID VALVE O-RING

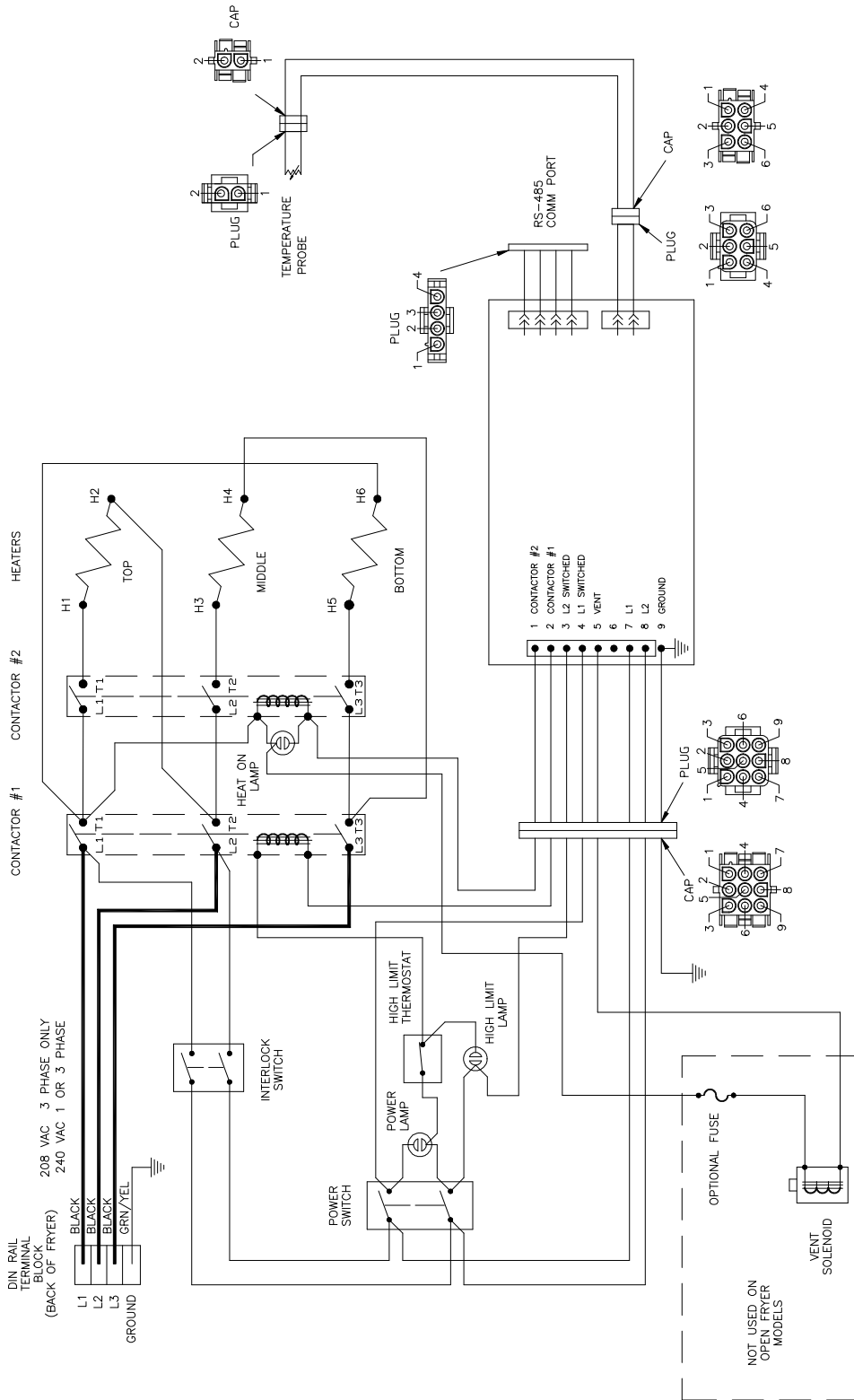
ESCUTCHEON ASSEMBLY		
SYM.	Qty	DESCRIPTION
1	1	PS1529 SWITCH POWER
2	1	PS2302 SWITCH POWER INTERLOCK
3	1	REF ONLY RELAY PANEL ASSEMBLY
4	1	REF ONLY BRACKET SWITCH
5	1	REF ONLY ESCUTCHEON
6	1	PS1086 GUARD SWITCH
10	4	REF ONLY NUT KEPS 8-32
11	2	REF ONLY RETAINER STRIP
12	2	REF ONLY SCREW 6-32x .313 RD HD PH
13	3	PS2298 LAMP NEON RED
14	1	REF ONLY CONTROL ASM
15	1	REF ONLY HOUSING CONTROLS
16	1	PS2687 THERMOSTAT HIGH LIMIT - USA
16	1	PS2939 THERMOSTAT HIGH LIMIT - ALL OTHERS





RELAY PANEL ASSEMBLY			
SYM	Qty	KIT NO.	DESCRIPTION
1	1	REF ONLY	PANEL RELAY FRYER
2	6	PS1271	GROMMET
3	1	REF ONLY	BUSHING PANEL 1.375
4	2	PS1007	RELAY - US ONLY
	2	PS2299	RELAY - ALL OTHERS
5	4	REF ONLY	SCREW

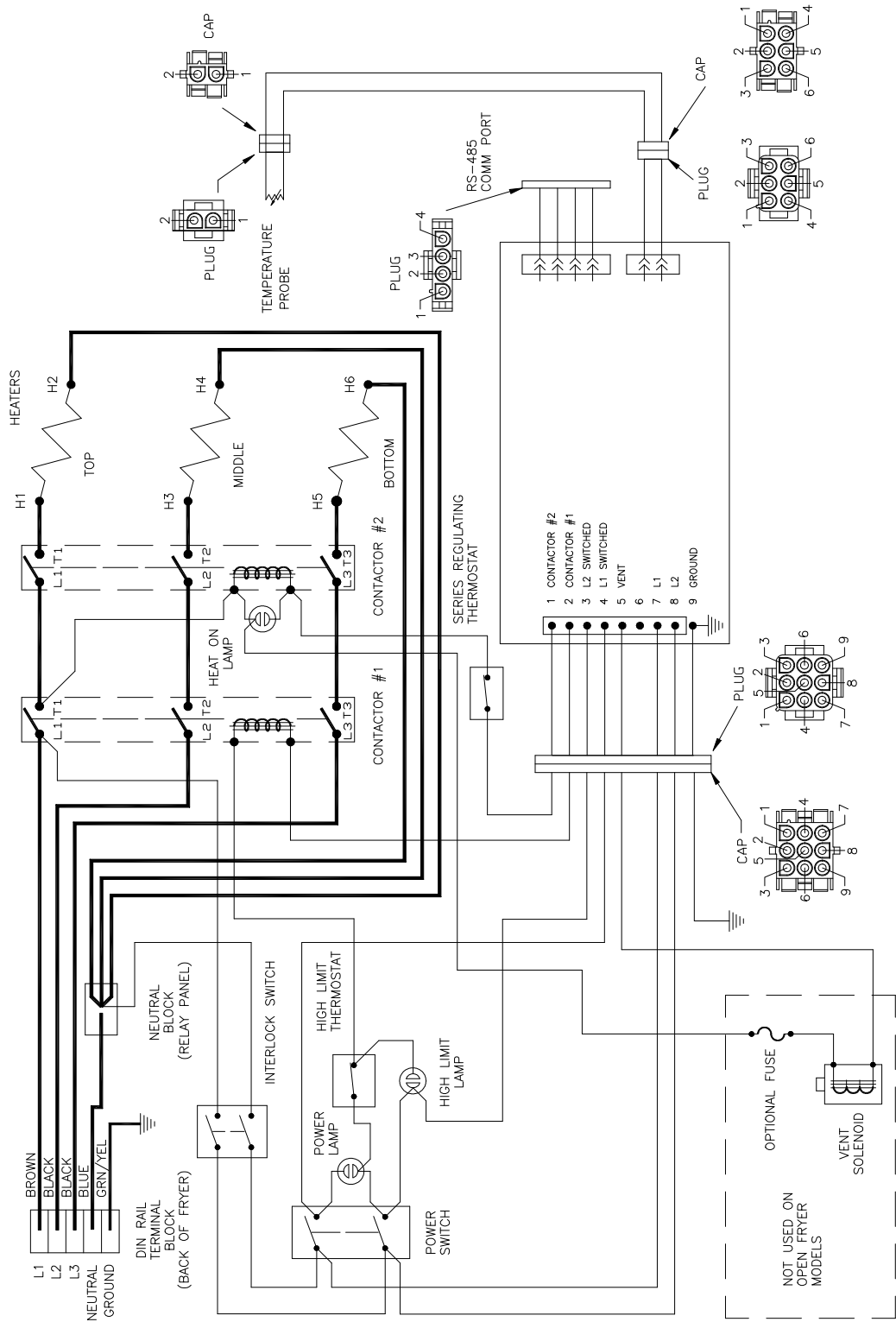
## DELTA Configuration



Winston Industries, LLC - 2345 Carton Dr. - Louisville - Kentucky - 40299

www.cvap.com 1-800-234-5286 502-495-5400 FAX 502-495-5458 www.winstonindustries.com

## WYE Configuration



Winston Industries, LLC - 2345 Carton Dr. - Louisville - Kentucky - 40299